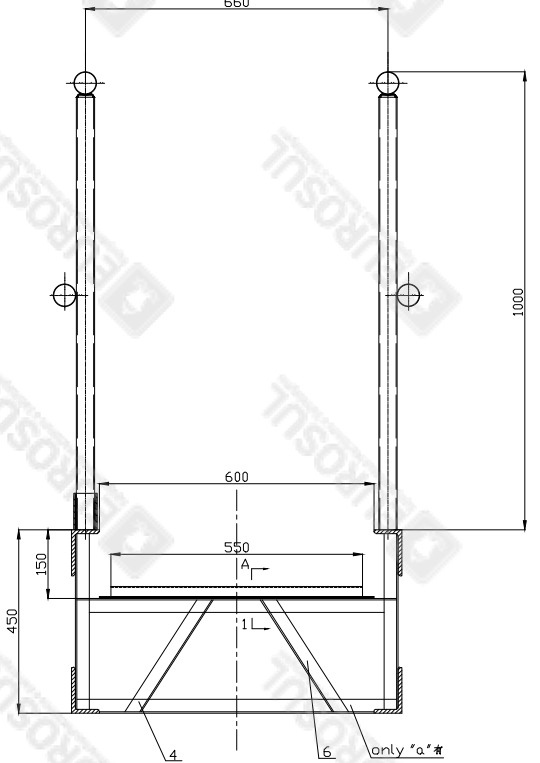
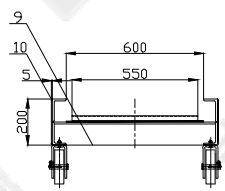


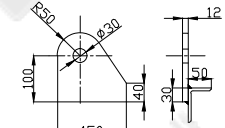
A-A  
1:2  
660



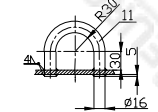
B-VIEW  
1:2



15-DET.  
1:4

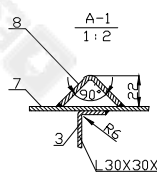


11-DET.  
1:2

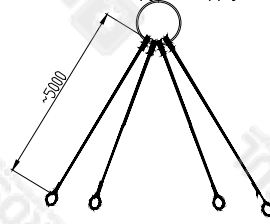


Technical requirements

- Parts made of aluminum must be oxidized according to standard CB\*/Z92-81. Parts made of steel must be galvanized according to standard CB\*/Z343-2005.
- The maximum use angle of this ladder is 30°.
- Finished framework of ladder should not be changed in shape and deflect. checking is referred standard of CB\*3116-82/ISO7061-2015.
- Load test: When the part ladder is supported horizontally on both ends and applied with 4000N/m² there shall be no defect in all parts, and also the maximum deflection in the middle of the ladder shall not exceed L/75mm.



吊钩重量350KG, 建议选用T的吊钩  
船厂提供/shipyard supply



技术要求

- 铝质零件均要进行氧化处理, 参照标准CB\*/Z 92-81. 钢质零件均要进行镀锌处理, 参照标准CB\*/Z 343-2005.
- 本梯最大使用角度30°.
- 竣工后梯架不得有变形, 翘曲, 壳形现象, 制造精度按标准CB\*3116-82/ISO7061-2015.
- 试验须知: 梯架在水平状态下支撑在两端上, 按每平方米4000N荷载加载, 在加载下, 梯架各部分不允许产生永久变形, 最大挠度不得超过L/75 mm, 参照ISO7061-2015.

NO	MARK	NAME	QTY	MATERIAL	UNIT WEIGHT	REMARKS
17		hook plate	2	assembly	5	10
16	L=35m	吊钩 #10 handrail ropes	2	钢丝绳 steel rope		
15		吊钩 #10 hanging eye plate	4	LF5 aluminum alloy		4
14		滚轮装置 roller device	2	assembly	12.96	25.92
13		吊杆 #40X4 handrail stanchion	16	LF5 aluminum alloy	1.5	24
12		吊杆 #50X4.5 handrail socket	16	LF5 aluminum alloy	0.18	4.3
11		吊环 #16 eye ring	4	LF5 aluminum alloy	0.076	0.304
10	L75X50X6	加强板 #5 strengthening plate	2	LF5 aluminum alloy		2
9		加强板 #4 doubling plate	2	LF5 aluminum alloy		5
8		踏板 #30X30X3 step	24	LF5 aluminum alloy		5.5
7		盖板 #4 cover plate	1	LF5 aluminum alloy		65
6		加强斜撑 #30X30X3 strengthening slant stay	16	LF5 aluminum alloy		2
5		斜撑 #30X30X3 slant stay	46	LF5 aluminum alloy		10
4		底部框架 L60X40X5 bottom framework	8	LF5 aluminum alloy		7
3		横梁 L30X30X3 beam	24	LF5 aluminum alloy		7
2		垂直支撑 L30X30X3 vertical stay	48	LF5 aluminum alloy		7.5
1	L75X50X6	吊架 ladder frame	1	LF5 aluminum alloy		135

铝质跳板 L=10000		ISO7061-2015-A10	
ALUMINIUM WHARF		江苏美源船舶附件有限公司	
设计	审核	数量(kg)	11
制图	检查	300	11
校对	批准	JIANGSU JIANGYAN MARINE	
审核	日期	DUFFITTING CO.,LTD	